

THIS DRAWING IS UNPUBLISHED.

RELEASED FOR PUBLICATION

20

LOC

DIST

REVISIONS

© COPYRIGHT 20 BY -

ALL RIGHTS RESERVED.

DY

P

LTR

DESCRIPTION

DATE

DWN

APVD

E4 ADD new p/n with width cavity

15APR15

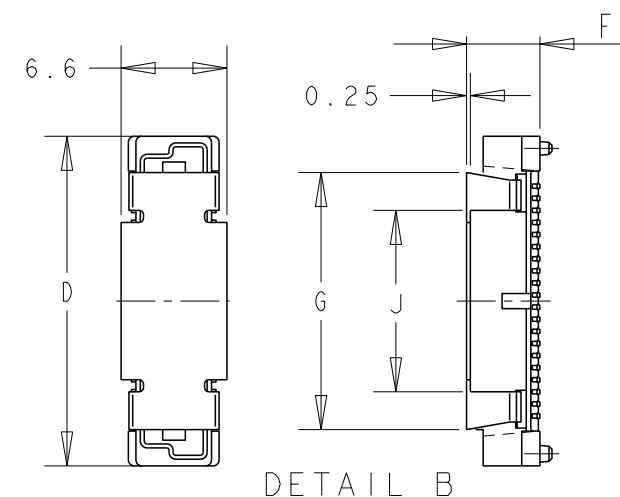
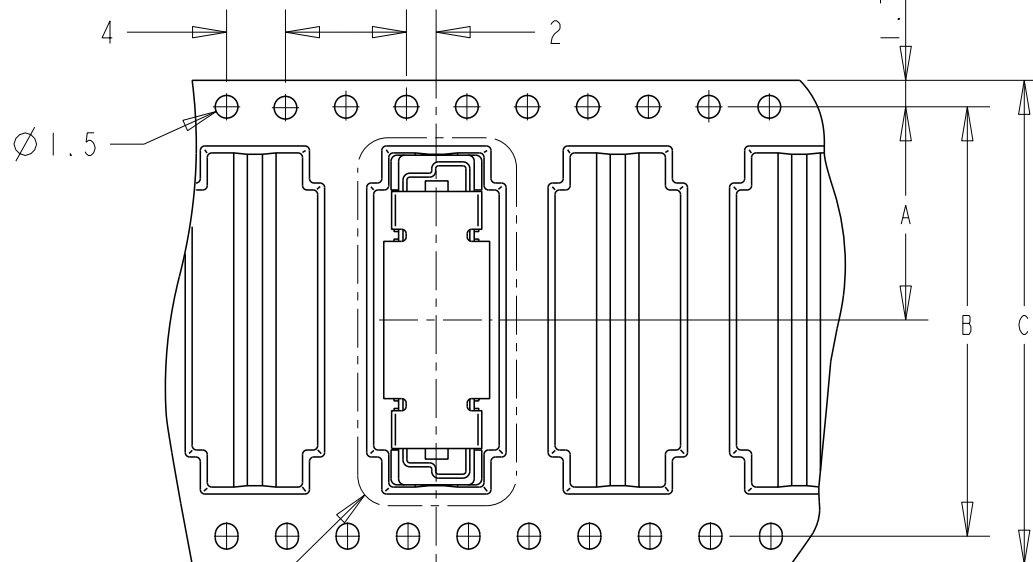
I.T.W.H

Notes:

- 1 CUTOUT FEATURE AVAILABLE ONLY ON 5H ASSY P/N -1 (40P) AND -2 (60P).
- 2 0.00038 MIN GOLD PLATING (15u INCHES GOLD PLATING)
- 3 CONNECTOR DIMENSIONS REFERENCED FROM DRAWING WHICH CONN. P/Ns BASED

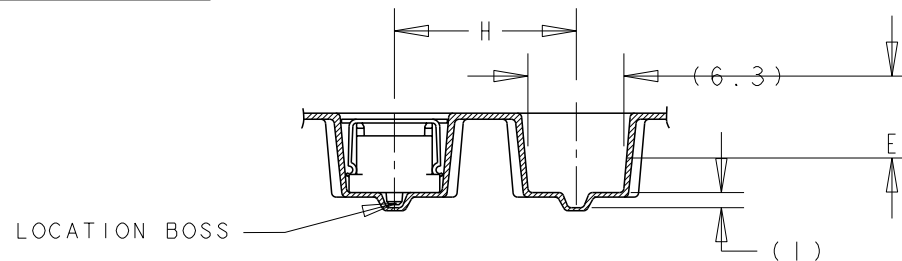
HALOGEN FREE

DIRECTION OFF TOP OF REEL

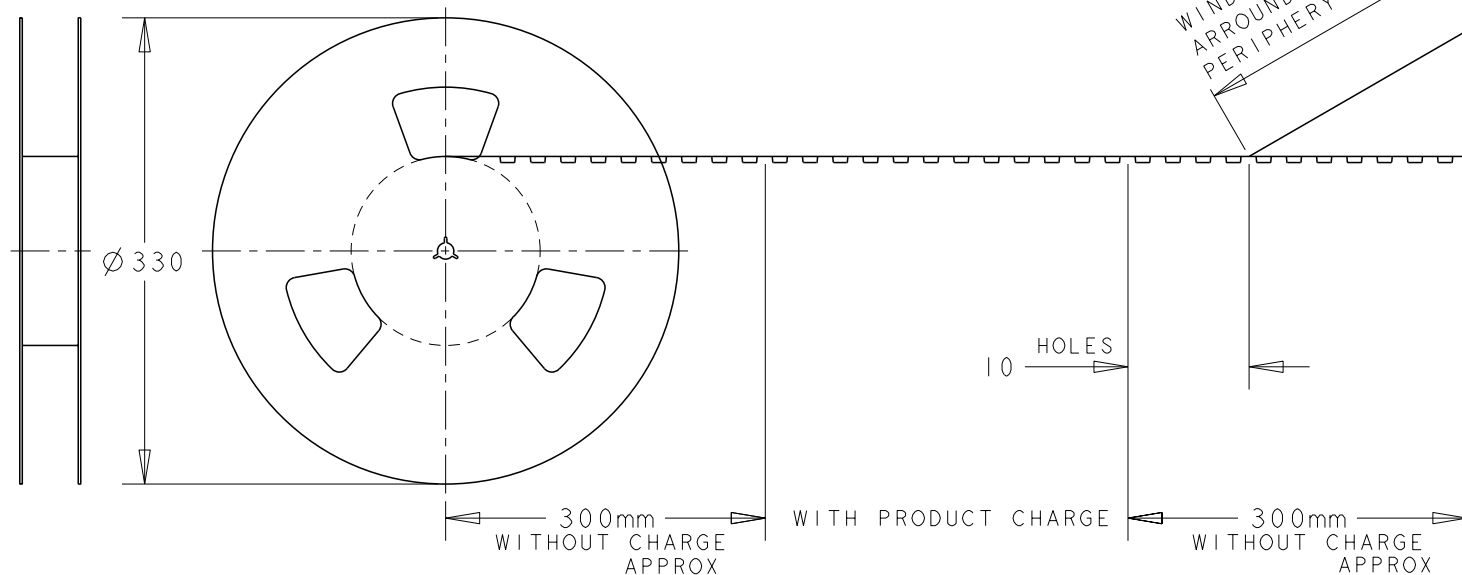


DETAIL B

DETAIL B



LOCATION BOSS



WINDING THE COVER TAPE AROUND THE OUTER PERIPHERY IN A TURN.

HEIGHT	J	H	G	F	E	D	C	B	A	POS	CONN. P/N REF. ONLY	SALEABLE PART NO.
0.00076 MIN GOLD PLATING (30u INCHES GOLD PLATING)	450	16				61.8	88	84.4	42.2	140	1- -6 7- -6	
						53.8				120	1- -5 7- -5	
						45.8	72	68.4	34.2	100	1- -4 7- -4	
						37.8	56	52.4	26.2	80	1- -3 7- -3	
						29.8	44	40.4	20.2	60	1- -2 7- -2	
0.00076 MIN GOLD PLATING (30u INCHES GOLD PLATING)	700	7H 12		6.85	7.25	21.8	32	28.4	14.2	40	1-5179030-1	7-5177986-1
						69.8				160		-8 6- -8
						61.8	88	84.4	42.2	140		-6 6- -6
						53.8				120		-5 6- -5
						45.8	72	68.4	34.2	100		-4 6- -4
0.00076 MIN GOLD PLATING (30u INCHES GOLD PLATING)	550	16				37.8	56	52.4	26.2	80		-3 6- -3
						29.8	44	40.4	20.2	60		-2 6- -2
						69.8				160		-8 5- -8
						61.8	88	84.4	42.2	140		-6 5- -6
						53.8				120		-5 5- -5
0.00076 MIN GOLD PLATING (30u INCHES GOLD PLATING)	800	6H 12		5.85	6.25	21.8	32	28.4	14.2	40	5084615-1	6-5177986-1
						85.8	104	100.4	50.2	200	1- -0 5- -0	
						69.8				160		-8 5- -8
						61.8	88	84.4	42.2	140		-6 5- -6
						53.8				120		-5 5- -5
0.00076 MIN GOLD PLATING (30u INCHES GOLD PLATING)	650	16				45.8	72	68.4	34.2	100		-4 5- -4
						37.8	56	52.4	26.2	80		-3 5- -3
						29.8	44	40.4	20.2	60		-2 5- -2
						85.8				200		-0 5- -0
						77.8	104	100.4	50.2	180		-9 3- -9
0.0002 MIN GOLD PLATING (7.8u INCHES GOLD PLATING)	900	5H 12 12 17	4.85	5.25	21.8	32	28.4	14.2	40	5084614-1	5-5177986-1	
						85.8				200	1- -0 4- -0	
						77.8	104	100.4	50.2	180		-9 3- -9
						69.8				160		-8 3- -8
						61.8	88	84.4	42.2	140		-6 3- -6
0.0002 MIN GOLD PLATING (7.8u INCHES GOLD PLATING)	400	16				53.8				120		-5 3- -5
						45.8	72	68.4	34.2	100		-4 3- -4
						37.8	56	52.4	26.2	80		-3 3- -3
						29.8	44	40.4	20.2	60		-2 3- -2
						85.8				200	1- -0 3- -0	
0.0002 MIN GOLD PLATING (7.8u INCHES GOLD PLATING)	600	8H 12		7.85	8.25	21.8	32	28.4	14.2	40	5179031-1	3-5177986-1
						77.8	104	100.4	50.2	180		-9 2- -9
						69.8				160		-8 2- -8
						61.8	88	84.4	42.2	140		-6 2- -6
						53.8				120		-5 2- -5
0.0002 MIN GOLD PLATING (7.8u INCHES GOLD PLATING)	450	16				45.8	72	68.4	34.2	100		-4 2- -4
						37.8	56	52.4	26.2	80		-3 2- -3
						29.8	44	40.4	20.2	60		-2 2- -2
						85.8				200	1- -0 3- -0	
						77.8	104	100.4	50.2	180		-9 2- -9
0.0002 MIN GOLD PLATING (7.8u INCHES GOLD PLATING)	700	7H 12		6.85	7.25	21.8	32	28.4	14.2	40	5179030-1	2-5177986-1
						69.8				160		-8 2- -8
						61.8	88	84.4	42.2	140		-6 1- -6
						53.8				120		-5 1- -5
						45.8	72	68.4	34.2	100		-4 1- -4
0.0002 MIN GOLD PLATING (7.8u INCHES GOLD PLATING)	500	7H 16		6.85	7.25	21.8	32	28.4	14.2	40	5179030-1	2-5177986-0
						69.8				160		-8 1- -8
						61.8	88	84.4	42.2	140		-6 1- -6
						53.8				120		-5 1- -5
						45.8	72	68.4	34.2	100		-4 1- -4
0.0002 MIN GOLD PLATING (7.8u INCHES GOLD PLATING)	800	6H 12		5.85	6.25	21.8	32	28.4	14.2	40	5179029-1	1-5177986-1
						69.8				160		-8 1- -8
						61.8	88	84.4	42.2	140		-6 1- -6
						53.8				120		-5 1- -5
						45.8	72	68.4	34.2	100		-4 1- -4
0.0002 MIN GOLD PLATING (7.8u INCHES GOLD PLATING)	650	16				37.8	56	52.4	26.2	80		-3 1- -3
						29.8	44	40.4	20.2	60		-2 1- -2
						85.8				200		-0 1- -0
						77.8	104	100.4	50.2	180		-9 1- -9
						69.8				160		-8 1- -8
0.0002 MIN GOLD PLATING (7.8u INCHES GOLD PLATING)	900	5H 12 12 17	4.85	5.25	21.8	32	28.4	14.2	40	5177984-1	5177986-1	
						85.8				200		-0 1- -0
						77.8	104	100.4	50.2	180		-9 1- -9
						69.8				160		-8 1- -8
						61.8	88	84.4	42.2	140		-6 1- -6

THIS DRAWING IS A CONTROLLED DOCUMENT.		DWN FLORENCE TAN 30AUG04	TE Connectivity	
DIMENSIONS: mm		CHK ERIC TNG		
TOLERANCES UNLESS OTHERWISE SPECIFIED:		APVD SE LEONG	NAME PLUG ASSEMBLY (0.5 BOSS LENGTH) FOR FH 0.8 B-T-B CONN. ON TAPING	
0 PLC ±- 1 PLC ±0.3 2 PLC ±0.25 3 PLC ±0.2 4 PLC ±- ANGLES ±3°		PRODUCT SPEC 108-5390	SIZE A3	
MATERIAL -		APPLICATION SPEC 114-5254	CAGE CODE 00779	DRAWING NO C-5177986
FINISH -		WEIGHT -	RESTRICTED TO -	
		CUSTOMER DRAWING	SCALE 2:1	SHEET 1 OF 1
			REV E4	